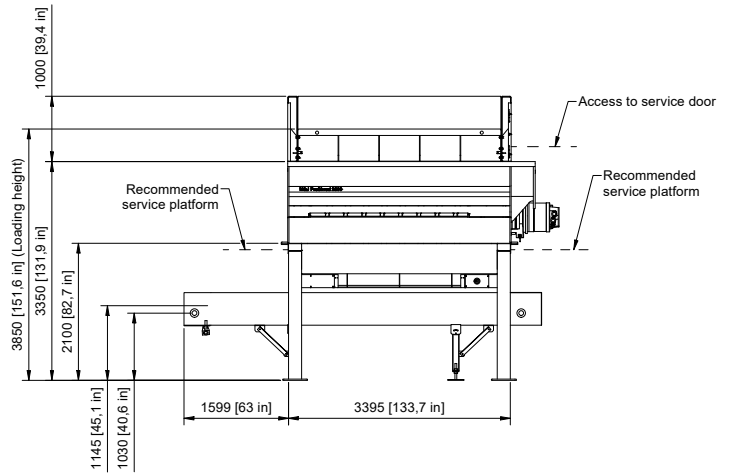
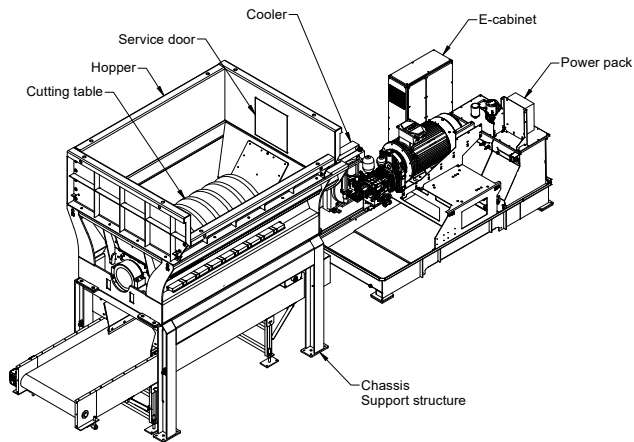
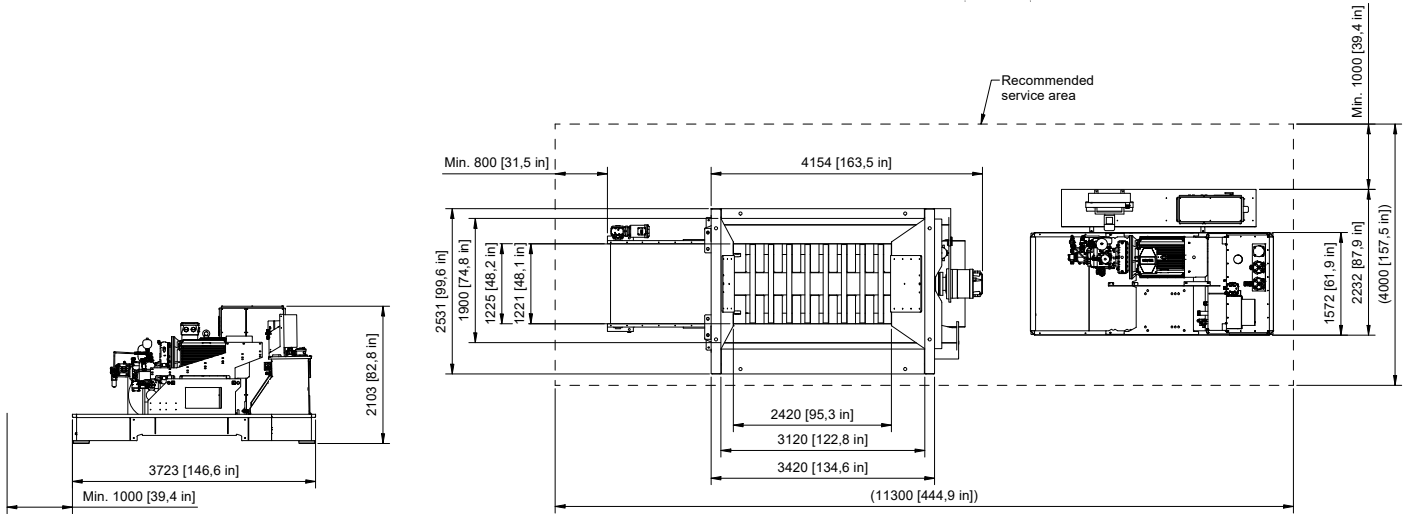


# M&J PreShred 2000S

Waste Pre-Shredders from M&J Recycling





Specification		
Overall dimensions shredder with standard hopper (LxWxH)	mm	5536 x 2300 x 3350
Weight (total included standard conveyer)	ton	14.3 – 16.4
Standard colour	RAL	7011, 9002
Loading height with standard hopper	mm	3350
Cutting area	mm	2420 x 1273
Power pack		
Electric motor	kW	110 / 132 / 200
Electric control unit		PLC
Drive principle		Hydrostatic transmission
Chassis		
Standard belt conveyer (LxW)	mm	4500 x 1200
Discharge height	mm	1145
Discharge width	mm	1200
Weight (included / exclusive conveyer)	ton	2.6 / 1.6

# M&J PreShred 2000S



Dragon sword



Classic



Tomahawk



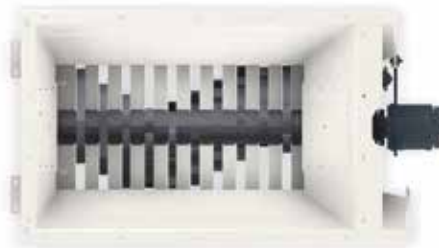
Butterfly



Tachi



Samurai



Cutting table 6 knives



Cutting table 10 knives

### Cutting Table

Number of shafts		1
Rotating speed	rpm	Up to 59
Number of knives		6 / 8 / 9 / 10
Number of counter knives		12 / 16 / 18 / 20
Cutting area (LxW)	mm	2420 x 1273
Weight	ton	8.7 – 10.2

### Grain size\*

6 knives	mm	<450
8 knives	mm	<300
9 knives	mm	<250
10 knives	mm	<200

### Capacity per hour \*\*

Household waste	ton	Up to 70
Demolition wood	ton	Up to 40
Industrial waste	ton	Up to 20
Bulky waste	ton	Up to 25

\* 90% less than \*\* Depending on loading, grain size and density of the input material





FOR MORE INFORMATION, CONTACT  
YOUR LOCAL M&J REPRESENTATIVE,  
OR CONTACT YOUR DEALER DIRECTLY.

[MJRECYCLING.COM](https://www.mjrecycling.com)

M&J | Vejlevej 5 | DK-8700 Horsens | Tel: +45 7626 6400 | [sales@mjrecycling.com](mailto:sales@mjrecycling.com)

The information in this document is provided for guidance only and as is without warranty of any kind, either express or implied, including but not limited to the implied warranties of merchantability, fitness for a particular purpose or non-infringement. Information in this document may include information not appropriate to specific configurations, or information which has not been updated. M&J Recycling has the right to make changes in the document without notice. Not all products or services are available in all countries. In no event shall M&J Recycling be liable for any damages. We reserve the right to make changes and improvements without notice. "M&J 2000S PreShred UK". M&J Recycling, september 2021.